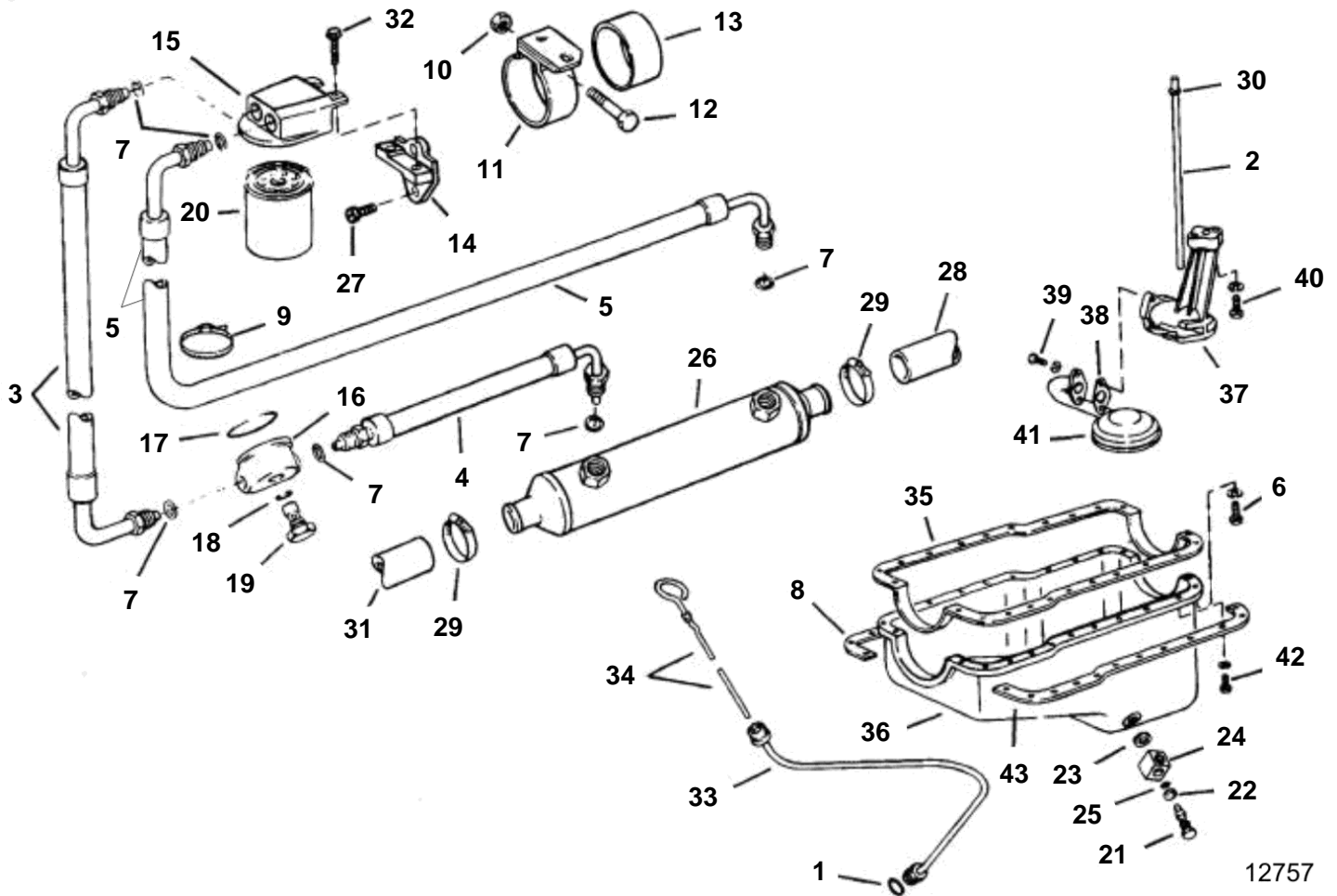


5.8FSIINCS, 5.8FSIPNCA, 5.8FSIPNCD



12757

5.8FSIINCS, 5.8FSIPNCA, 5.8FSIPNCD

| REF | PART NO. | QTY | DESCRIPTION |
|-----|----------|-----|--------------------------------|
| 1 | 3852033 | 1 | O-ring, Oil drain tube |
| 2 | 3853105 | 1 | Shaft, Oil pump |
| 3 | 3854419 | 1 | Hose, Adapter to filter |
| 4 | 3854418 | 1 | Hose, Adapter to cooler |
| 5 | 3854417 | 1 | Hose, Filter to cooler |
| 6 | 3853006 | 4 | Screw, Oil pan |
| 7 | 3850819 | 6 | O-ring, Oil hose |
| 8 | 3853106 | 1 | Reinforcement, Oil pan, stbd |
| 9 | | 1 | Cable fixing clamp, Oil lines |
| 10 | 3852079 | 1 | Nut, Oil cooler bracket |
| 11 | | 1 | Clamp, Oil cooler |
| 12 | 3852126 | 1 | Screw, Oil cooler |
| 13 | 3853236 | 1 | Spacer, Oil cooler |
| 14 | 3854413 | 1 | Bracket, Oil filter |
| 15 | 3854592 | 1 | Oil filter housing, Oil filter |
| 16 | | 1 | Adapter, Engine oil |
| 17 | 3854416 | 1 | O-ring |
| 18 | 3852089 | 1 | O-ring, Retainer to adapter |
| 19 | 3854415 | 1 | Retainer, Adapter |
| 20 | 835779 | 1 | Oil |
| 21 | 3852609 | 1 | Retainer, Oil drain |
| 22 | 3852007 | 1 | Washer, Retainer |
| 23 | 3853725 | 1 | Washer, Fitting |
| 24 | 3853664 | 1 | Fitting, Oil drain |
| 25 | 3853674 | 1 | O-ring, Oil drain |
| 26 | 3853969 | 1 | Oil cooler |
| 27 | 3853266 | 2 | Screw, Bracket to elbow |
| 28 | 3850907 | 1 | Hose, Oil cooler to oil cooler |
| 29 | 3852602 | 3 | Hose clamp, Hose |
| 30 | 3853005 | 1 | Retainer, Oil pump shaft |
| 31 | | 1 | Hose, Cooler to thermostat |
| 32 | 3853266 | 2 | Screw, Adapter to bracket |
| 33 | 3854170 | 1 | Tube, Oil drain |
| 34 | 3850473 | 1 | Gauge |
| 35 | 3852823 | 1 | Gasket, Oil pan |
| 36 | | 1 | Sump |
| 37 | 3853908 | 1 | Pump |
| 38 | 3853267 | 1 | Gasket, Pickup tube |
| 39 | 3853471 | 2 | Screw, Pickup tube |
| 40 | 3853032 | 2 | Screw, Pump to block |
| 41 | 3853104 | 1 | Oil strainer, Oil pump |
| 42 | 3853033 | 18 | Screw, Oil pan |
| 43 | 3853107 | 1 | Reinforcement, Oil pan, port |